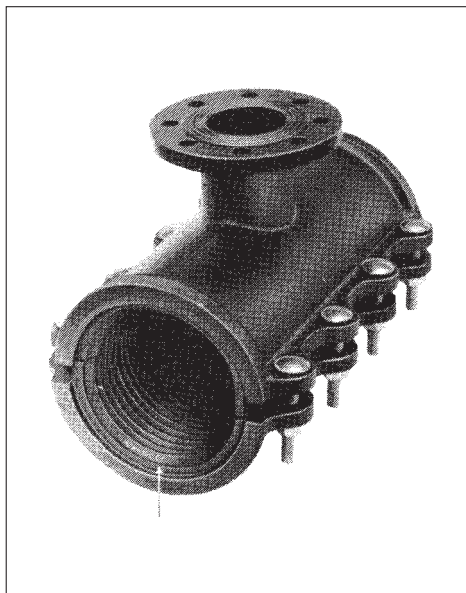


Zweiteilige Überschieber Fabrikat Melcher

mit Abgangsflansch

Bestell-Nr. 104 – Gas und Wasser

Abmes- sung DN	Durch- messer- Bereich mm	Bau- länge mm	Gewicht
			ca. kg
40 x 40	44–50	200	8,0
40 x 40	50–56	200	8,0
40 x 40	54–61	200	8,0
50 x 40	60–68	200	8,0
50 x 50	60–68	200	8,0
60 x 40	69–77	240	13,0
60 x 50	69–77	240	13,5
60 x 60	69–77	240	14,0
65 x 40	76–87	240	13,0
65 x 50	76–87	240	13,5
65 x 65	76–87	240	14,0
70 x 40	76–87	240	13,0
70 x 50	76–87	240	13,5
80 x 40	89–98	245	14,0
80 x 50	89–98	245	15,0
80 x 65	89–98	245	16,0
80 x 80	89–98	245	18,0
100 x 40	108–118	350	22,0
100 x 50	108–118	350	22,5
100 x 65	108–118	350	23,5
100 x 80	108–118	350	24,5
100 x 100	108–118	350	26,0
125 x 40	133–144	400	24,0
125 x 50	133–144	400	26,5
125 x 65	133–144	400	26,5
125 x 80	133–144	400	28,0
125 x 100	133–144	400	29,0
125 x 125	133–144	400	30,0
150 x 40	159–170	460	35,5
150 x 50	159–170	460	36,0
150 x 65	159–170	460	36,0
150 x 80	159–170	460	37,0
150 x 100	159–170	460	37,0
150 x 125	159–170	460	40,0
150 x 150	159–170	460	41,5
175 x 40	193–203	400	36,5
175 x 50	193–203	400	36,5
175 x 65	193–203	400	37,0
175 x 80	193–203	400	38,0
175 x 100	193–203	400	38,0



mit Abgangsflansch

Bestell-Nr. 104 – Gas und Wasser

Abmessung DN	Durchmesser- Bereich mm	Bau- länge mm	Gewicht ca. kg
175 x 125	193–203	400	40,0
175 x 150	193–203	400	41,0
200 x 40	214–225	490	41,5
200 x 50	214–225	490	42,0
200 x 65	214–225	490	42,5
200 x 80	214–225	490	47,5
200 x 100	214–225	490	48,0
200 x 125	214–225	490	47,0
200 x 150	214–225	490	51,0
200 x 200	214–225	490	56,0
225 x 40	241–248	450	44,0
225 x 50	241–248	450	44,0
225 x 80	241–248	450	50,5
225 x 100	241–248	450	51,0
225 x 125	241–248	450	54,0
225 x 150	241–248	450	55,5
225 x 200	241–248	450	58,0
250 x 40	267–274	450	47,0
250 x 50	267–274	450	47,0
250 x 80	267–274	450	50,0
250 x 100	267–274	450	52,0
250 x 125	267–274	450	54,0
250 x 150	267–274	450	56,0
250 x 200	267–274	450	60,0
250 x 225	267–274	450	62,0
275 x 40	290–303	450	61,0
275 x 50	290–303	450	61,0
275 x 80	290–303	450	66,0
275 x 100	290–303	450	66,0
275 x 125	290–303	450	68,0
275 x 150	290–303	450	69,0
300 x 40	315–326	500	64,0
300 x 50	315–326	500	64,0
300 x 80	315–326	500	66,5
300 x 100	315–326	500	67,0
300 x 125	315–326	500	68,0
300 x 150	315–326	500	71,5
300 x 200	315–326	500	75,0
300 x 250	315–326	500	78,0

